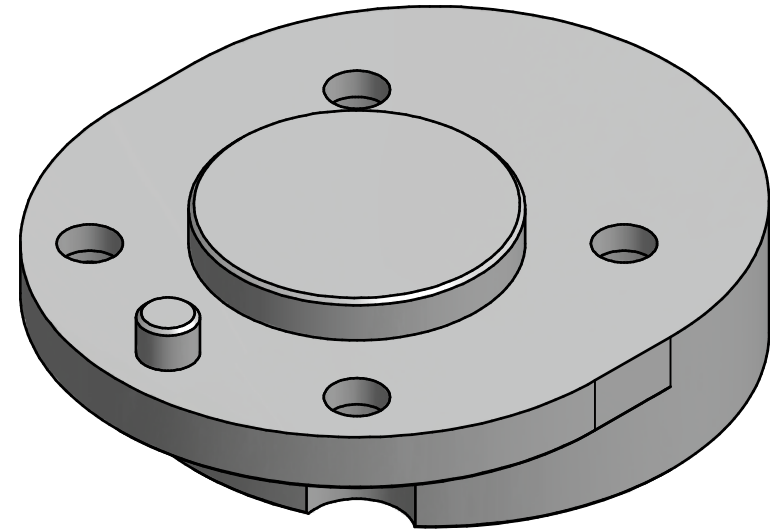
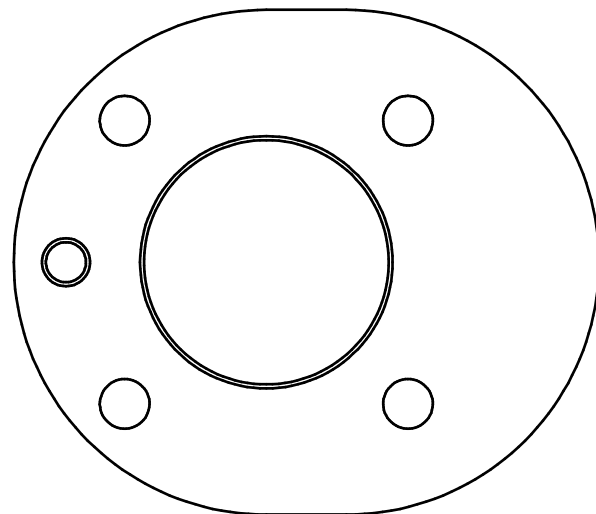
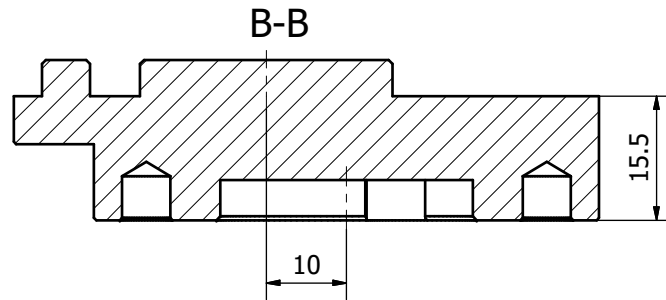
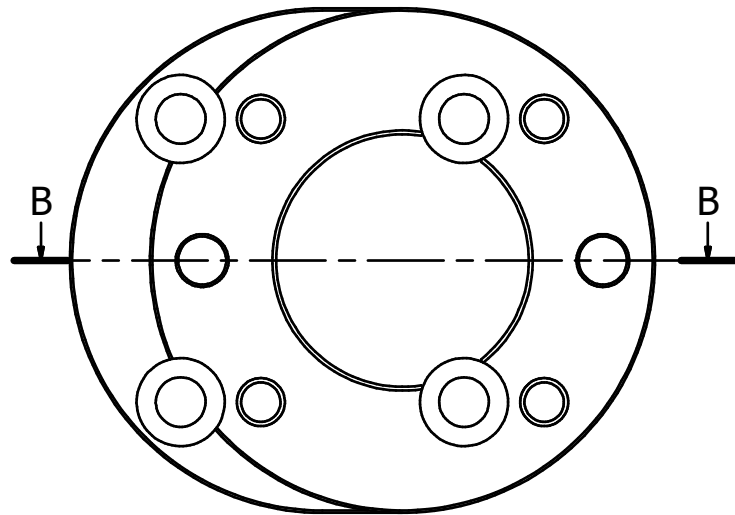



		Tolerances if not otherwise specified DIN ISO 2768-fh		
Drawing by US	Approved by	Date	Material	Project
SetupRobotics ApS Forskerparken 10 5230 Odense M Denmark		Description Tool Center Point TM5 (TCP)		
Tlf.: +45 31 40 99 22 www.setuprobotics.com info@setuprobotics.com		Part number TM5 + ToolBase	Revision Mod/Drw /1	Sheet 1 / 2



		Tolerances if not otherwise specified DIN ISO 2768-fh			
Drawing by US		Approved by	Date	Material Aluminum	Project
SetupRobotics ApS Forskerparken 10 5230 Odense M Denmark		Tlf.: +45 31 40 99 22 www.setuprobotics.com info@setuprobotics.com		Description TM5 adapter	
		Part number SB075049		Revision Mod/Drw /1	Sheet 2 / 2