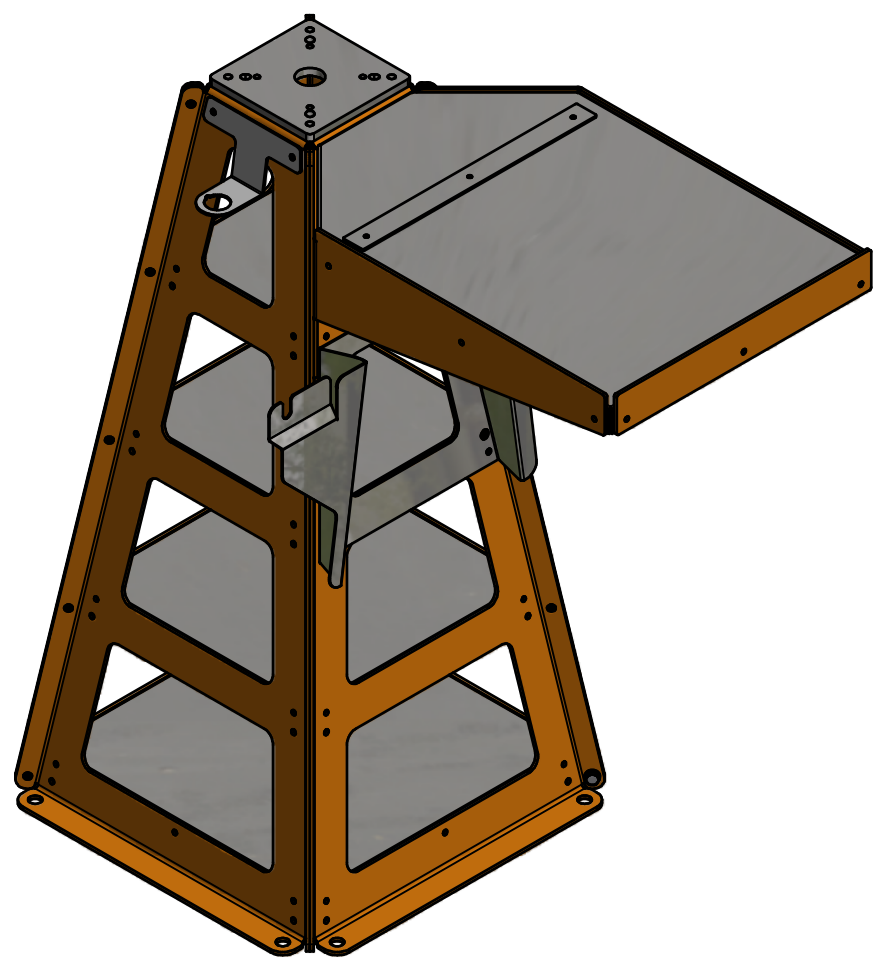
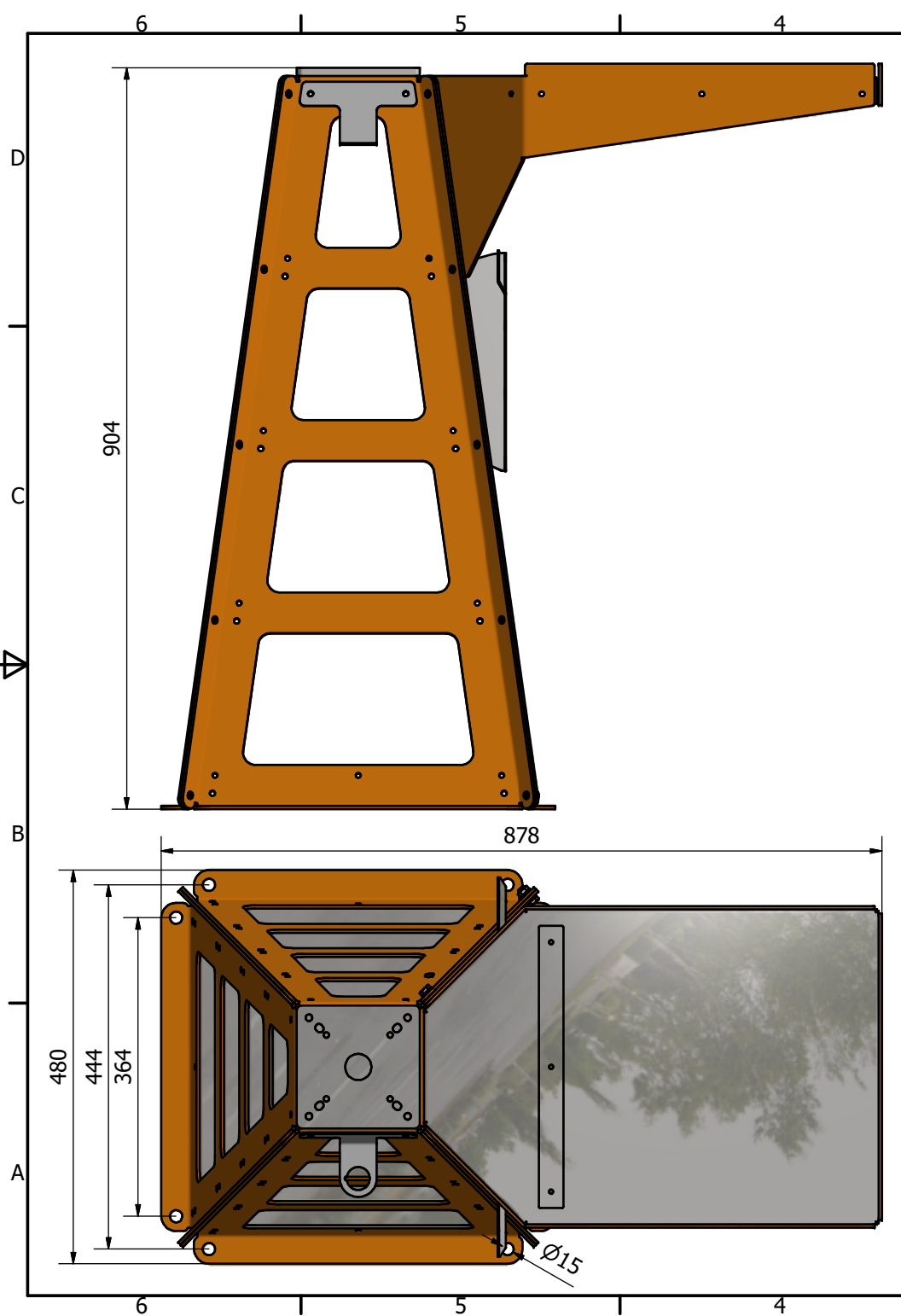
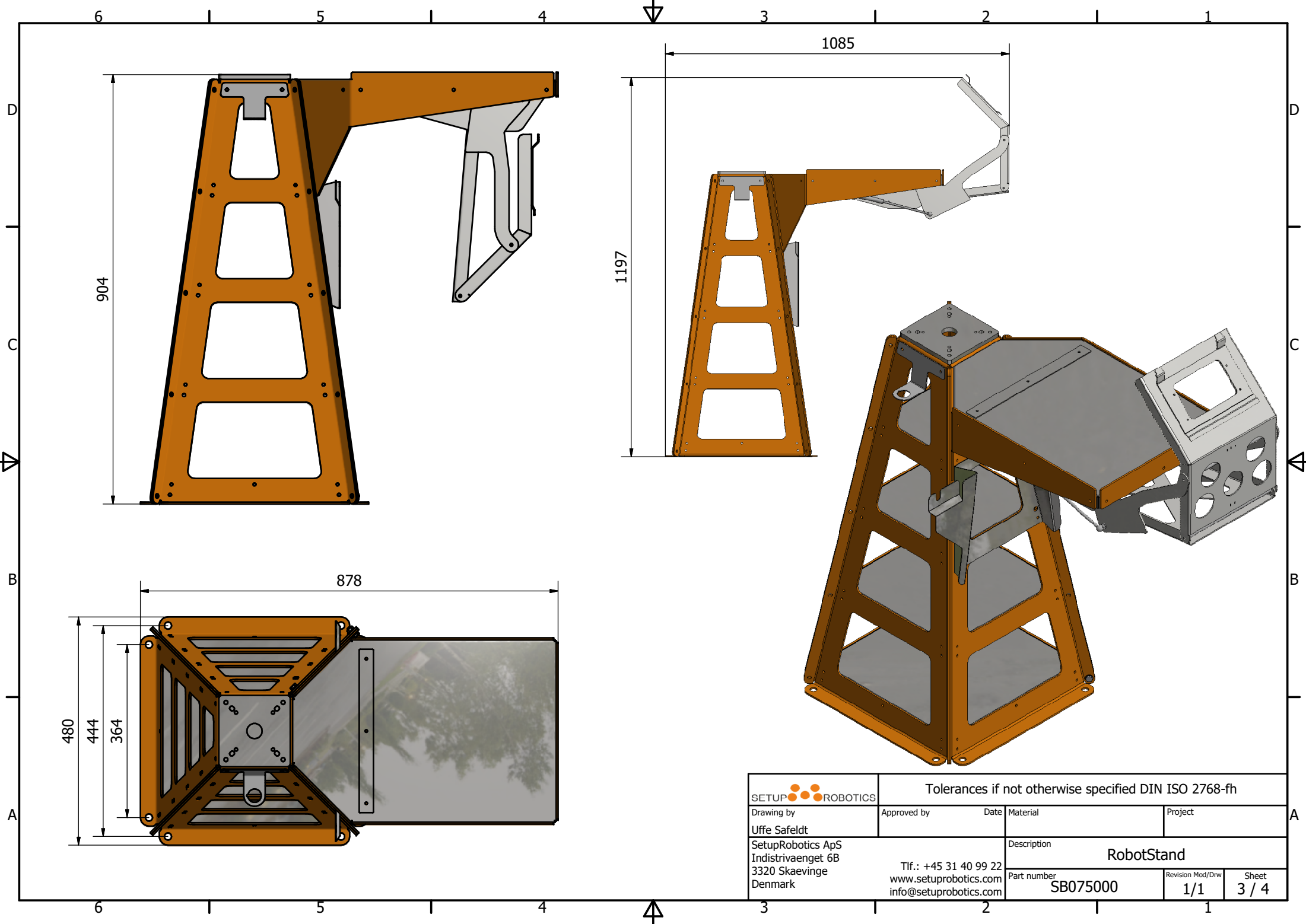


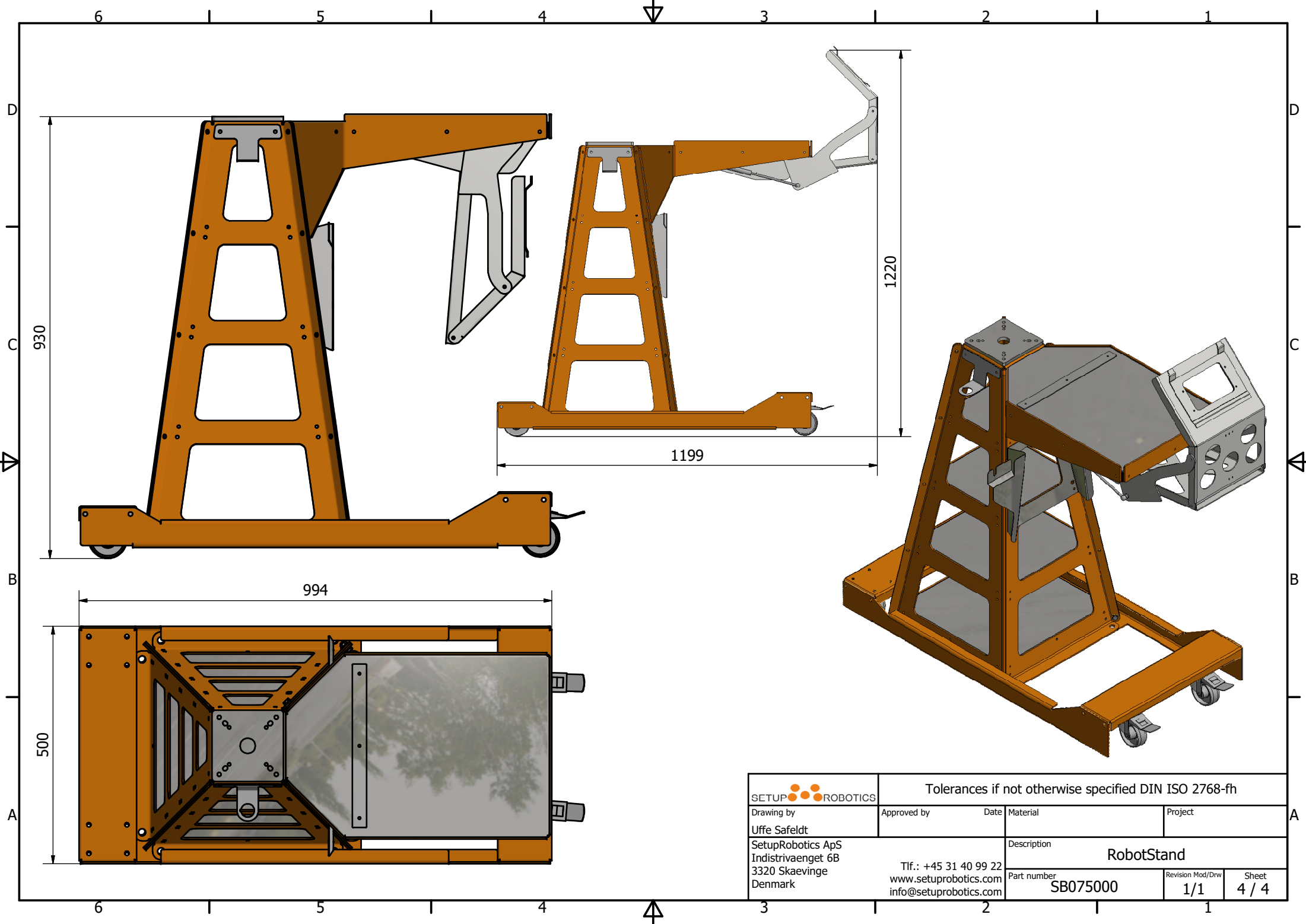
		Tolerances if not otherwise specified DIN ISO 2768-fh		
Drawing by	Approved by	Date	Material	Project
Uffe Safeldt				
SetupRobotics ApS Industrivaenget 6B 3320 Skaevinge Denmark		Description RobotStand		
		Tlf.: +45 31 40 99 22 www.setuprobotics.com info@setuprobotics.com	Part number SB075000	Revision Mod/Drw 1/1 Sheet 1 / 4




		Tolerances if not otherwise specified DIN ISO 2768-fh		
Drawing by	Approved by	Date	Material	Project
Uffe Safeldt				
SetupRobotics ApS Industrivaenget 6B 3320 Skaevinge Denmark		Description RobotStand		
		Tlf.: +45 31 40 99 22 www.setuprobotics.com info@setuprobotics.com	Part number SB075000	Revision Mod/Drw 1/1
				Sheet 2 / 4



		Tolerances if not otherwise specified DIN ISO 2768-fh		
Drawing by	Approved by	Date	Material	Project
Uffe Safeldt				
SetupRobotics ApS Industrivaenget 6B 3320 Skaevinge Denmark		Description RobotStand		
		Tlf.: +45 31 40 99 22 www.setuprobotics.com info@setuprobotics.com	Part number SB075000	Revision Mod/Drw 1/1 Sheet 3 / 4



		Tolerances if not otherwise specified DIN ISO 2768-fh		
Drawing by		Approved by	Date	Material
Uffe Safeldt				
SetupRobotics ApS Industrivaenget 6B 3320 Skaevinge Denmark		Description		
		RobotStand		
		Tlf.: +45 31 40 99 22	Part number	Revision Mod/Drw
		www.setuprobotics.com	SB075000	1/1
		info@setuprobotics.com		Sheet
				4 / 4