

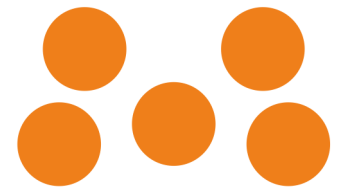
BG2	Version: 1.04
Double bottle gripper	Page: 1/6



BG2 USER MANUAL



BG2	Version: 1.04
Double bottle gripper	Page: 2/6



Preface

Congratulations with your Double bottle gripper

The SetupRobotics Double bottle gripper is designed to be mounted on a single ToolBase which enables pick and place handling of 5L plastic cans.

In the box

- 1 Double bottle gripper base.
- 2 Clamp jaws right
- 2 Clamp jaws left
- 8 Thumb nuts M8
- 4 Mounting screws M4 x 10 button head.

Important message.



The Double bottle gripper + single ToolBase are part of a partly completed machinery. A risk assessment is required for each usage.

It is the responsibility of the robot integrator to make the risk assessment and that all safety requirements and local regulations are complied with.

Pneumatic gripping technology relies on stable electrical and compressed air supply. If supply is discontinued including control signals a picked item might drop.

Make sure there is no collisions between ToolBase including attached tools and and other while maneuvering the robot.

Make sure ToolBase Double bottle gripper, jaws, Thumb nuts, are mounted properly.

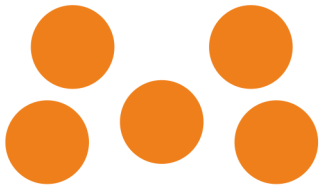
Never use a damaged ToolBase, Double bottle gripper nor connect damaged jaws, Thumb nuts.

The Double bottle gripper + single ToolBase is intended as industrial robotic end-effector. It is not to be used in potentially explosive environments or in life support applications.

Protect the Double bottle gripper + single ToolBase + jaws + Thumb nuts from damaging chemical and physical effects including but not limited to: Corrosive substances, solvents, extreme temperatures, radioactive radiation, extreme magnetic fields, small objects as powder/dirt, extreme mechanical vibrations, electrical currents and discharge.

See also Single ToolBase manual.

BG2	Version: 1.04
Double bottle gripper	Page: 3/6

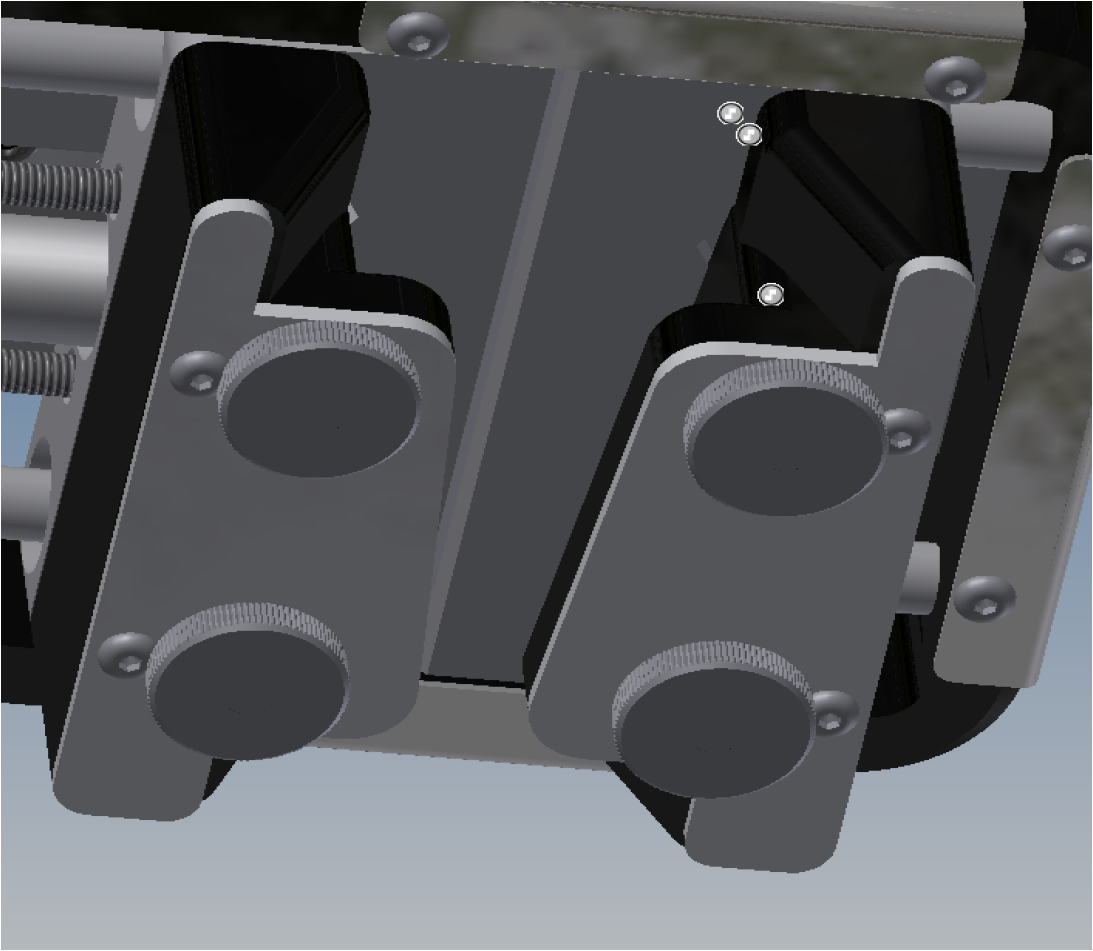


Installation

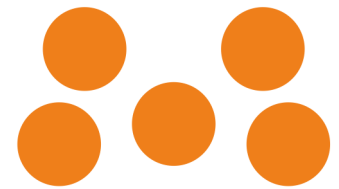
First connect the quick coupling to the toolbase, then mount the Double bottle gripper on the ToolBase optional M4 mounting threads using the supplied M4x10 button head screws and tighten to 2.4Nm.



Mount the jaws on the M8 threads secure with the supplied thumb nuts.



BG2	Version: 1.04
Double bottle gripper	Page: 4/6



PICK and PLACE

PICK

To pick bottle(s) move jaws to clamp position and activate single base tool. (set oWhite high).

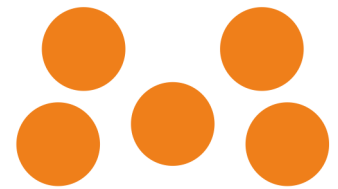
When the toolbase register the jaws has fully closed the feedback is set high. (iWhite is high).

If jaws opens for some reason opens feedback goes low.

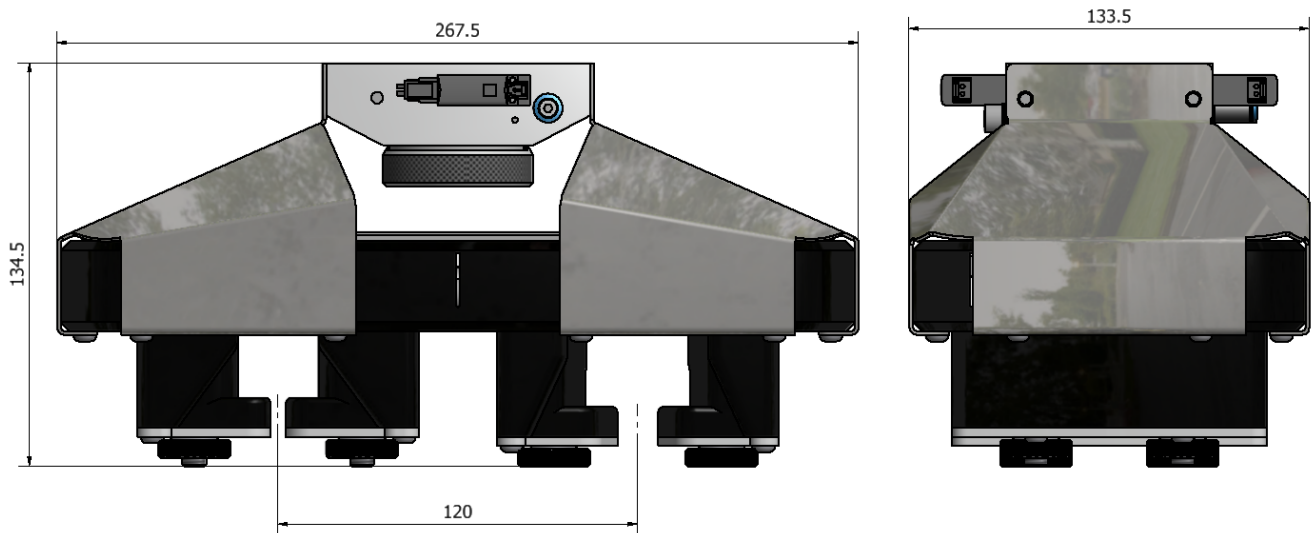
PLACE

To place an object deactivate single base tool. (set oWhite low).

When the toolbase register the jaws has fully opened the feedback is set high. (iWhite is high).



Overview toolbase



Technical data

Size LxWxH	267.5x133.5x134.5	[mm]
Height from robot flange (flange start inside singlebase)	130	[mm]
Weight inclusive single toolbase	1000	[g]
Opening stroke (2 jaws)	25	[mm]
Theoretical Closing force at 6bar	270	[N]
Bottle distance	120	[mm]
Maximum bottle weight	6	[Kg]
Air usage 1 actuation	0.07	[l]
Ambient operating temperature, non condensing	5..50	[°C]
Storage temperature, non condensing	0..60	[°C]

Custom jaws

Custom jaws are designed on request.

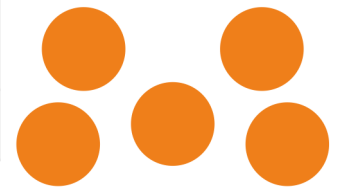
Contact

Web: www.setuprobotics.com

Support: support@setuprobotics.com

Sales: sales@setuprobotics.com

BG2	Version: 1.04
Single robotic ToolBase	Page: 6/6



EC Declaration of conformity

Manufacturer:

SetupRobotics EU ApS
Industrivaenget 6B, Melose
3320 Skaevinge
Denmark

Hereby is certified that the following product:

Description:

Type

Production year

Serial No (from)

Dual bottle gripper

Dual bottle gripper for singlebase

BG2

2023

1

is partly completed machinery according to 2006/42/EC.

The complete machine must be in full compliance with all essential requirements of 2006/42/EC before the toolbase and its connected accessories are put into service. A comprehensive risk assessment must be carried out for each application as part of ensuring that all essential requirements are fulfilled. All essential requirements must be assessed. Instructions and guidance provided in the manual must be followed.

The product is in conformity with the following directives:

2014/30/EU — Electromagnetic Compatibility Directive (EMC)

2011/65/EU — Restriction of the use of certain hazardous substances (RoHS)

2014/35/EU — Low Voltage Directive (LVD)

Uffe Safeldt
COO, CTO
Hillerød 2023.06.01